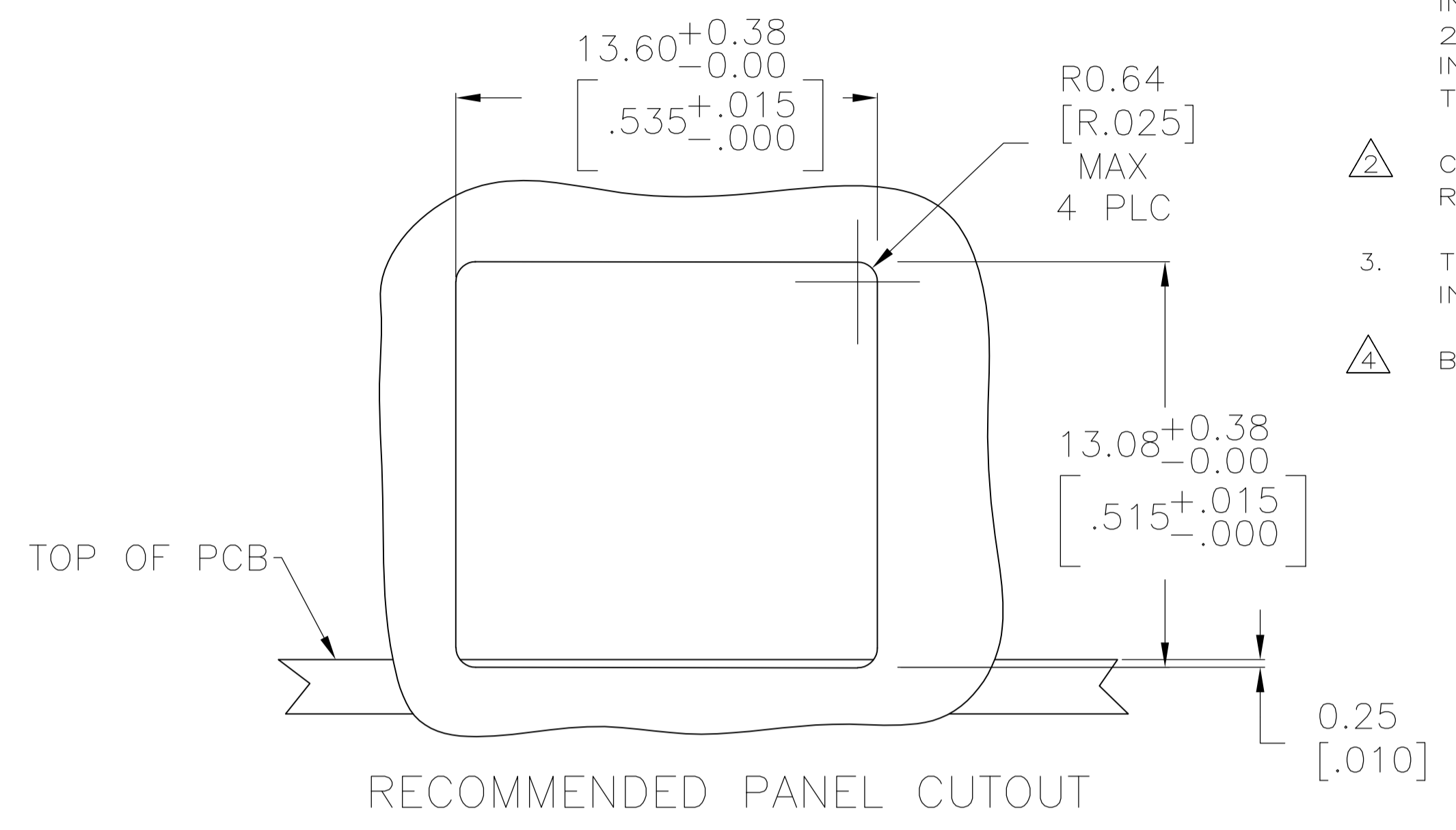
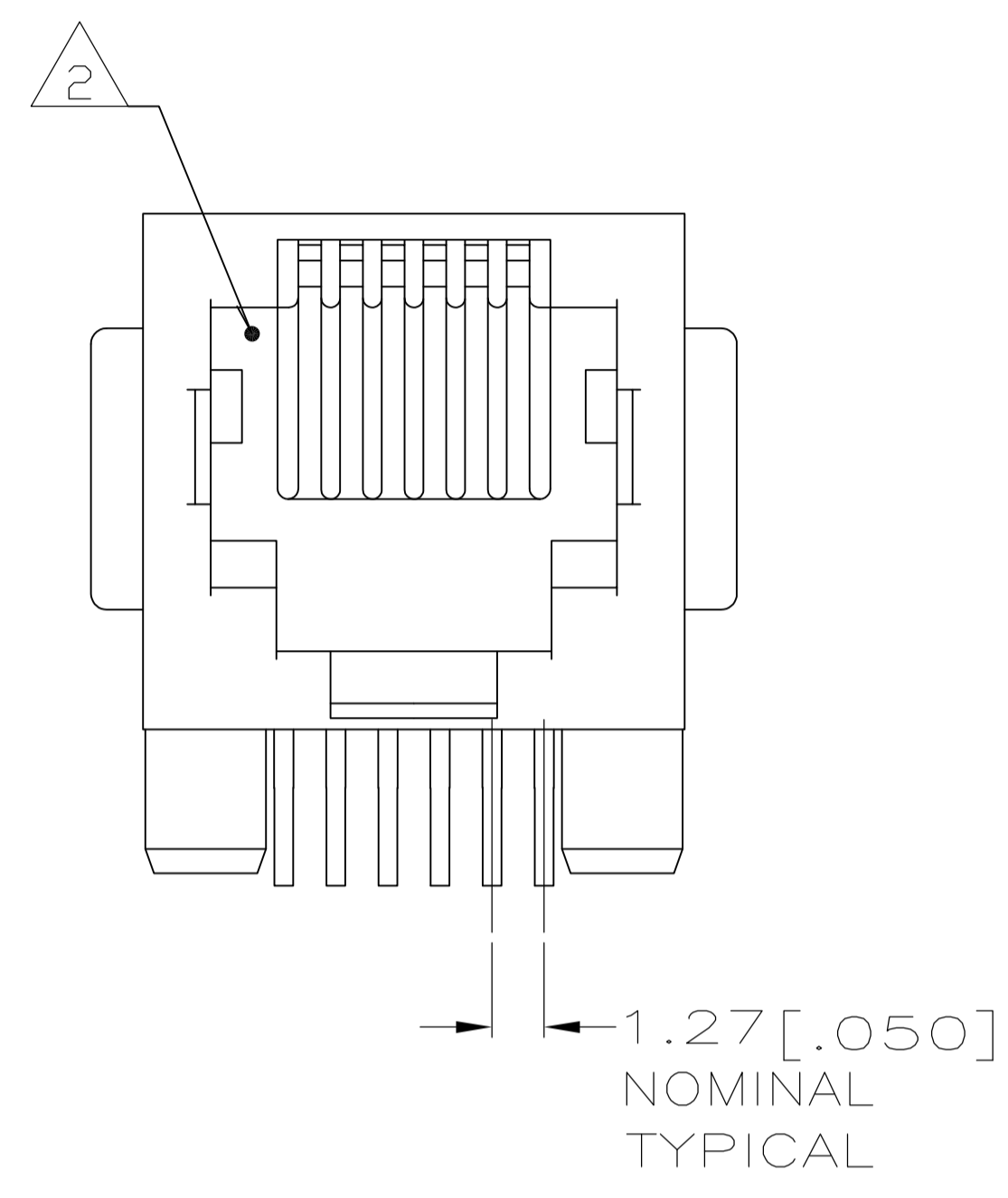
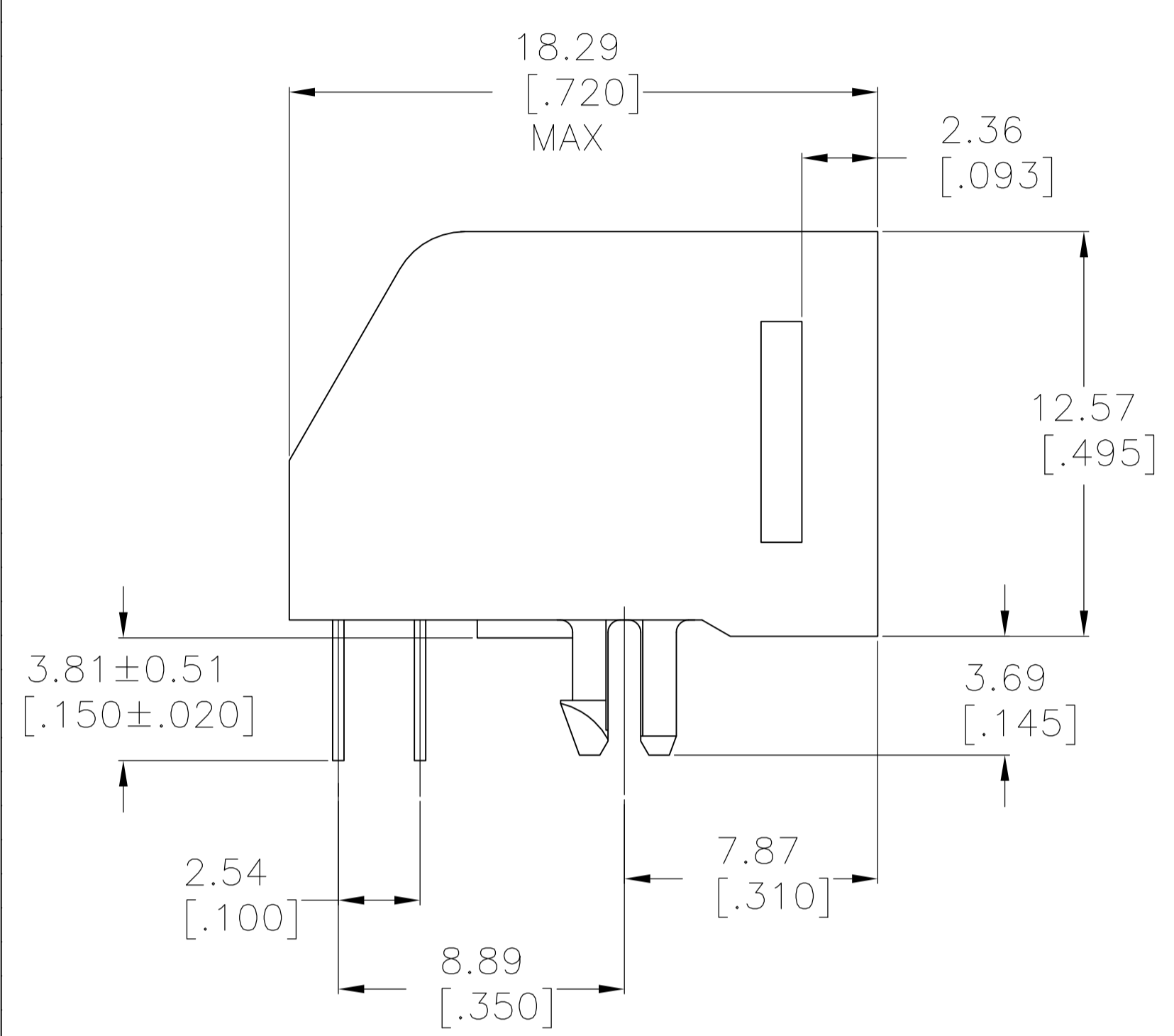
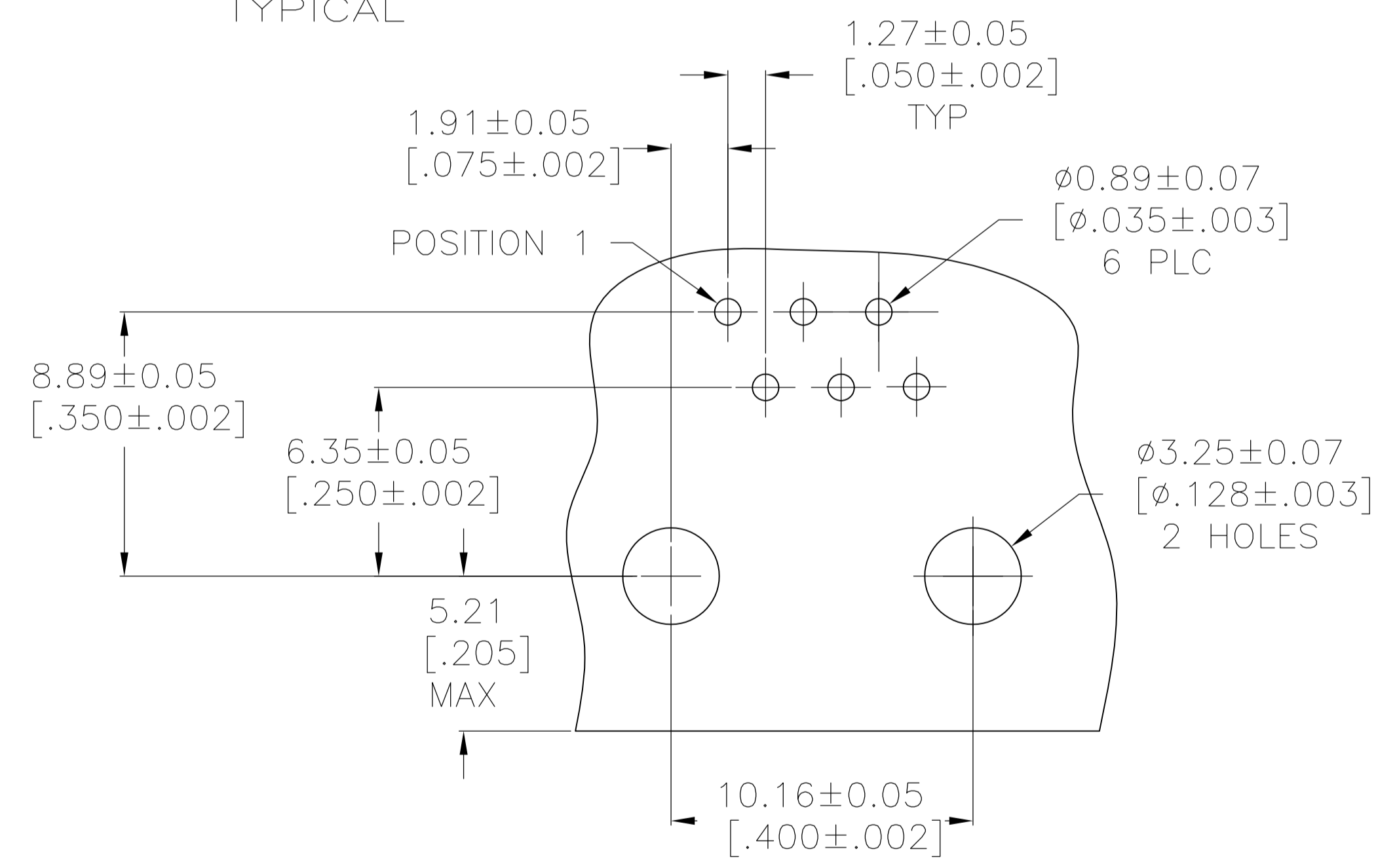
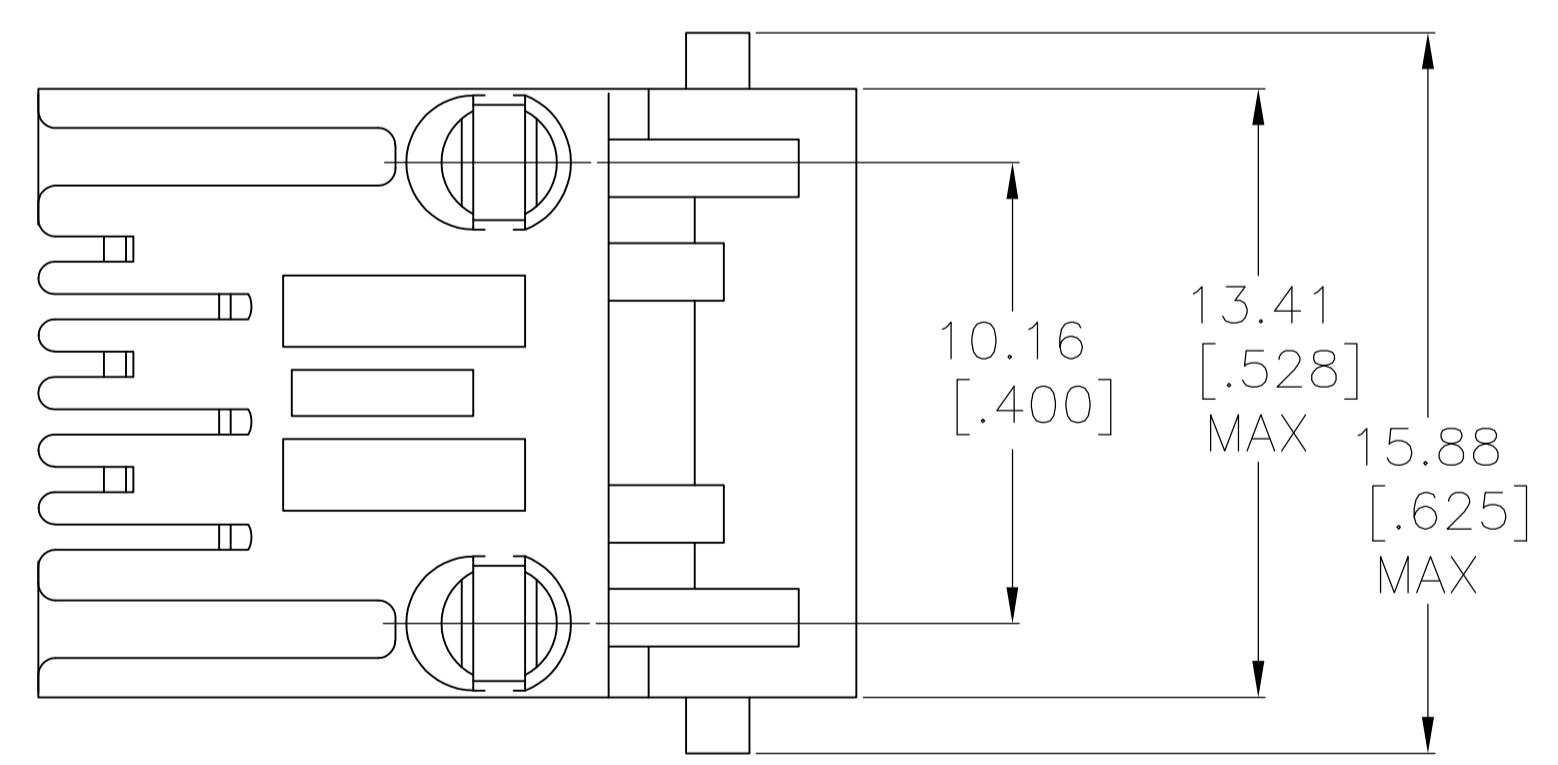


LOC		DIST		REVISIONS			
AA	00	REV	DATE	BY	CHK	APPV	
C1	REVISED PER ECO-11-005140		28MAR11	RK	HMR		



- MATERIAL: HOUSING - PBT POLYESTER, BLACK.
TERMINAL - 0.35 [.0138] THICK PHOSPHOR BRONZE PLATED WITH 1.27µm [.000050] THICK HARD GOLD IN LOCALIZED GOLD PLATE AREA AND 2.03µm [.000080] THICK MATTE TIN IN SOLDER AREA OVER 1.27µm [.000050] THICK NICKEL UNDERPLATE.
- CAVITY CONFORMS TO FCC RULES AND REGULATIONS PART 68, SUBPART F.
- TERMINALS FOR 5555163-2 AND -5 LOCATED IN CENTER POSITIONS.
- BULK PACKAGED IN A TRAY.



RECOMMENDED PRINTED CIRCUIT BOARD LAYOUT COMPONENT SIDE SHOWN

REV	DATE	DESCRIPTION	BY	CHK	APPV
2		5555163-5			
4		5555163-2			
6		5555163-1			

THIS DRAWING IS A CONTROLLED DOCUMENT.

DIMENSIONS: mm [INCHES]	TOLERANCES UNLESS OTHERWISE SPECIFIED:	DWG: G. ATTADIA - 08/JUN/2005	CHK: J. WESTMAN - 08/JUN/2005	APVD: S. FLICKINGER - 08/JUN/2005	NAME: MODULAR JACK ASSEMBLY, 6 POSITION, LOW PROFILE, RIGHT ANGLE, WITH PANEL STOPS
0 PLC ± -	1 PLC ± -	2 PLC ± 0.13[.005]	3 PLC ± -	4 PLC ± -	ANGLES ± -
MATERIAL: SEE NOTE 1	FINISH: SEE NOTE 1	WEIGHT: -	SCALE: A1	CAGE CODE: 00779	DRAWING NO: 5555163
CUSTOMER DRAWING		SCALE: 6:1	SHEET: 1 OF 1	REV: C1	

STE TE Connectivity